



# OWNER'S MANUAL & INSTALLATION GUIDE

# BUILDERS' CHOICE AIR

**Installer:** This booklet must be given to the product owner. Please add important information below.

Model # \_\_\_\_\_ Purchase Date \_\_\_\_\_

Serial # \_\_\_\_\_ Distributor \_\_\_\_\_

**Note:** Read all instructions before proceeding with installation.  
All specifications are  $\pm 3/8''$  and are subject to change without notice. Dimensions listed in inches (mm).



# TABLE OF CONTENTS

<b>PRODUCT WARRANTY REGISTRATION INFORMATION</b>	3
<b>IMPORTANT SAFETY INSTRUCTIONS</b>	4-5
<b>PRE-INSTALLATION REQUIREMENTS</b>	
Inspection Before Installation	6
Pre-planning Access, Plumbing and Electrical Installation	7
Before You Start	7
<b>INSTALLATION INSTRUCTIONS</b>	
Structural Preparation	8
Framing Diagrams	8-9
Framing & Installation Procedures	10
Integrally Skirted Air Baths	11
Electrical Connections	12-13
Final System Test & Clean-Up	14
<b>OPERATION INSTRUCTIONS</b>	
Before Use	15
To Operate Your Air Bath	15
<b>TUB CARE</b>	
Maintenance	16
Repair	17
<b>WATER QUALITY</b>	
Chemical & Water Quality	18-19
<b>AIR BATH USER INFORMATION</b>	20
<b>FCC CONSUMER INFORMATION</b>	20
<b>TROUBLESHOOTING GUIDE</b>	21
<b>REPLACEMENT PARTS MAP</b>	22
<b>REPLACEMENT PARTS LIST</b>	22
<b>AQUATIC LIMITED WARRANTY</b>	23

## AQUATIC Product Warranty Registration Information

Thank you for choosing an Aquatic bath. You have chosen one of the finest bath products in the industry. Aquatic supports your purchase with strong commitments to quality and customer satisfaction.

### IMPORTANT!

To activate Product Warranty, please register with Aquatic. Your product warranty must be registered and confirmed with Aquatic through the Serial Number on your unit. To register, please contact Aquatic.

(800) 945-2726 • [www.aquaticbath.com/register](http://www.aquaticbath.com/register)

Please read and follow all of the instructions contained in this Owner's Manual before installing, operating or maintaining your air bath. In addition, you should continually refer to these instructions during the life of your air bath. Failure to comply with these instructions may invalidate your warranty. If you have any questions concerning installation, operation, maintenance or any other aspect of your Aquatic air bath, please contact:

**AQUATIC CUSTOMER SERVICE CENTER: (800) 945-2726**

(The Troubleshooting Guide on page 21 may be helpful in answering some of your questions.)

**NOTE:** The installation and service of your air bath should be performed **ONLY** by a qualified electrician and plumber.

### IMPORTANT!

This product **MUST BE WATER-TESTED** and inspected prior to installation or warranty will be voided. [See **INSPECTION BEFORE INSTALLATION** on page 6.] Neither Aquatic nor the distributor will be responsible for removal or reinstallation costs should replacement of the air bath be necessary.

**PLEASE CHECK ENTIRE UNIT FOR ANY DAMAGE.**

If it appears damaged, contact your Aquatic Distributor immediately. Aquatic warranty does not cover damage that occurs in transit.



# AQUATIC

*Where Inspiration Takes Shape*

8101 E. Kaiser Blvd., Suite 200 • Anaheim, CA 92808  
(800) 945-2726 • Fax (866) 544-5353  
[www.aquaticbath.com](http://www.aquaticbath.com)


# IMPORTANT SAFETY INSTRUCTIONS


**WARNING:** When using this unit, basic precautions should always be followed. Failure to follow these instructions could result in personal injury, electric shock, or fire.

## READ AND FOLLOW ALL INSTRUCTIONS:

- **WARNING:** Risk of lethal electric shock. To reduce risk of electric shock, connect only to circuits protected by a Ground-Fault Circuit-Interrupter (GFCI) or Residual Current Device (RCD).
- **DANGER:** To reduce the risk of injury, do not permit children to use this unit unless they are closely supervised at all times.
- Use this unit only for its intended use as described in this manual. Do not use additional attachments and/or equipment not recommended by the manufacturer.
- Never drop or insert any object into any opening.
- The unit must be connected only to a supply circuit that is protected by a Ground-Fault Circuit-Interrupter (GFCI). Such a GFCI should be provided by the installer and should be tested on a routine basis. To test the GFCI, push the test button. The GFCI should interrupt power. Push the reset button. Power should be restored. If the GFCI fails to operate in this manner, there is a ground current flowing, indicating the possibility of an electric shock. Do not use this unit. Disconnect the unit and have the problem corrected by a qualified service representative before using.
- To reduce the risk of injury, enter and exit the bath slowly.
- This product is intended for indoor use only. Installing this unit outdoors could cause personal injury and will void your warranty.

SAVE THESE INSTRUCTIONS.


WARNING



Electrical Shock Hazard

Plug into a grounded 3-prong outlet.

Do not remove ground prong.

Do not use an adapter.

Do not use an extension cord.

Failure to follow these instructions can result in death, fire, or electrical shock.

**Your safety and the safety of others are very important.**

We have provided many important safety messages in this manual and on your appliance. Always read and obey all safety messages.



This is the safety alert symbol. This symbol alerts you to potential hazards that can kill or hurt you and others.

All safety messages will follow the safety alert symbol and either the word "DANGER" or "WARNING." These words mean:


DANGER

You can be killed or seriously injured if you don't immediately follow instructions.


WARNING

All safety messages will tell you what the potential hazard is, tell you how to reduce the chance of injury, and tell you what can happen if the instructions are not followed.

# IMPORTANT SAFETY INSTRUCTIONS

Before taking your first air bath, be sure you have performed the "system test." [See **FINAL SYSTEM TEST & CLEAN UP** on page 14.] Be sure that you are familiar with all the controls and switches and that the unit is operating properly. [See **TO OPERATE YOUR AIR BATH** on page 15.]

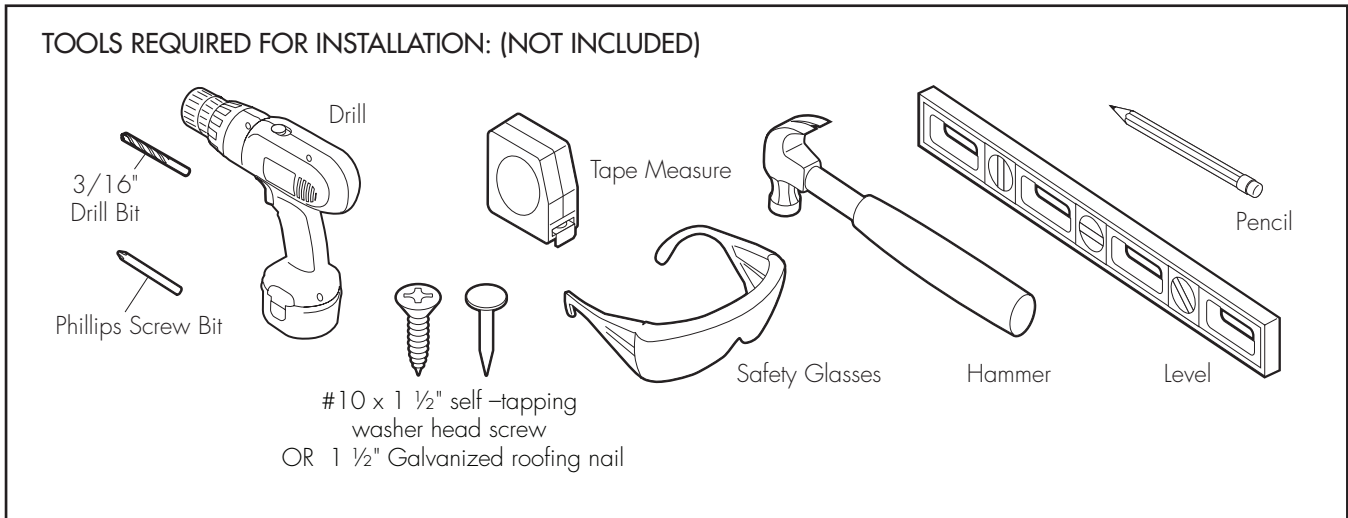
1. The water in a bath tub should never exceed 40° C (104° F). Water temperature between 38° C (100° F) and 40° C (104° F) are considered safe for a healthy adult. Bathing time should be limited to approximately 30 minutes, followed by a shower to cool down. Longer exposure may result in hyperthermia. The symptoms of this condition are nausea, dizziness and fainting, which can be fatal. Lower water temperatures are recommended for extended use (exceeding 10-15 minutes) and for young children.
2. If you will not be operating the air bath system during your bath, you may fill the bathtub to any comfortable level. However, if you will operate the system, you must fill the bathtub to a minimum of 4" above the air channels.
3. **A few important bathing "DONT'S"-**

## **DO NOT operate the air bath system if:**

- The bathtub isn't filled to required levels above air channels.
- You're pregnant (until you've consulted your doctor).
- You're taking medications or drugs that may make you drowsy.
- You're drinking any form of alcohol.
- You've just had a meal. Wait for 30 minutes after eating.
- There is a child in the bathtub who may be left unattended at any time. Never allow small children to remain unattended in any bathtub.
- There are any small objects in the bathtub. The air bath action can move small objects at high speeds, causing pain and possible injury.
- You're smoking. The heat of burning tobacco can damage the bathtub surface. Keep tobacco products and ashtrays away from the bathtub.
- You have problems with your immunity system (until you have consulted your doctor).
- Never operate electrical appliances (television, hair dryer, radio, telephone, etc.) inside or within five feet (5') of the bath.
- You are using additional attachments and/or equipment not recommended by the manufacturer.
- You have a medical history of heart disease, low or high blood pressure, circulatory system problems, or diabetes, consult with a physician before using an air bath.
- You are under the influence of drugs, anticoagulants, stimulants, antihistamines, vasoconstrictors, vasodilators, hypnotics, narcotics, or tranquilizers.

# PRE-INSTALLATION REQUIREMENTS

## READ ALL INSTRUCTIONS CAREFULLY BEFORE INSTALLATION



## INSPECTION BEFORE INSTALLATION

1. Inspect the Aquatic air bath to ensure it is the correct model number, size, color, and has all features, options and accessories originally ordered.
2. If damage or shortage has occurred, notify your distributor, freight carrier, or Aquatic Customer Service Center at (800) 945-2726.

**NOTICE:** Under no circumstances should a damaged or defective bath be installed without prior factory approval. Neither Aquatic nor the distributor will be responsible for removal or reinstallation costs should replacement of the bath be necessary.

3. This air bath is factory-assembled, complete with blower, controls and plumbing. **DO NOT** lift or support unit using plumbing lines or any part of circulation system. **DO NOT** relocate or otherwise modify any part of the factory-installed air circulation system, as this may affect the performance or safe operation of the air bath and will void all warranties.
4. Inspect air bath unit and air circulation system carefully before installing. Water test the unit before installation. If any damages or defects are observed, **DO NOT INSTALL**. Notify your distributor immediately.
5. Make certain the air tube that is connected to the blower is also connected to the on/off button nipple under the deck in order for the system to function.

### WATER TEST: PLACE THE TUB IN AN AREA WHERE IT MAY BE DRAINED AFTER TESTING.

1. Fill the tub with water to the overflow and allow to stand for a few minutes.
2. Plug in blower cord and run blower for 10 minutes.
3. Inspect the tub completely. Any defect must be reported to Aquatic prior to installation in order to have it covered by warranty.
4. Check to ensure that your installation will conform to all applicable codes and secure necessary permits. All electrical and plumbing connections should be made by qualified electricians and plumbers.
5. This unit has been factory-tested prior to shipment for leakage and proper operation of the system. However, in transit and handling, the half-union blower may become loose. Make sure it is hand-tight.

Aquatic will not be liable for any defects or damages, including incidental or consequential damages that could have been discovered or prevented by following these procedures for storage, handling and inspection.

## PRE-PLANNING ACCESS, PLUMBING AND ELECTRICAL INSTALLATION

1. Sufficient clearance must be provided for access to service connections: blower and electrical hook-ups. (Minimum unobstructed access 14" x 18")
  - A. Alcove Installation (with optional skirt): Access is provided by removing the skirt. To permit removal of skirt, allow at least 6" clearance at both ends of tub: vanity, toilet, etc., must not obstruct skirt removal.
  - B. Island or Pier Installations: Provide access panel at motor end. [See diagrams on pages 8-9.]
  - C. Sunken Installations: Provide access panel in floor or in ceiling below.
2. Drain/waste pipe stub must be located in wall or floor to match location of drain, waste and overflow kit tee fitting. Provide a 6" x 12" box-out in sub-floor or slab.
3. When fittings (spout, handles, valves, etc.) are to be mounted on the unit, be certain that the hot and cold water copper supply lines are located where there is ample room for mounting before setting the unit in place.
4. **WARNING:** When using electrical products, basic precautions should always be followed, including the following:
  - A. **DANGER:** Risk of Lethal Electrical Shock. Connect only to a separate circuit protected by a Ground-Fault Circuit-Interrupter (GFCI).
  - B. **Connection.** Electrical hook-up must be performed by a licensed electrician in accordance with local, state and national electrical codes.
  - C. **Access Panel Required.** For built-in custom units, provide an access panel for servicing electrical components. [See **FRAMING & INSTALLATION PROCEDURES** on page 10].

## BEFORE YOU START

**IMPORTANT:** Observe all governing codes and ordinances.

1. Proper installation is your responsibility. Have a qualified technician install this bath.
2. Installation using a Ground-Fault Circuit-Interrupter (GFCI) is required. [See **ELECTRICAL CONNECTIONS** on pages 12-13.]
3. It is your responsibility:
  - To contact a qualified electrical installer.
  - To assure that electrical installation is adequate and in conformance with National Electrical Code, ANSI/NFPA 70 - latest edition.

Copies of this standard may be obtained from:

National Fire Protection Association  
1 Batterymarch Park  
Quincy, Massachusetts 02169  
(617) 770-3000

# INSTALLATION INSTRUCTIONS

## STRUCTURAL PREPARATION

Framing and supports will vary according to the model and type of installation selected.

1. **Plumbing Connections:** (spout, handles, valves, etc.) should be made after unit is installed. When mounting fittings on unit, drill holes from finished surface, using appropriate-sized hole saw with fine-tooth or abrasive grit cutting edge.
2. When plumbing connections have been made, proceed with electrical hook-up (see **ELECTRICAL CONNECTIONS** on pages 12-13).

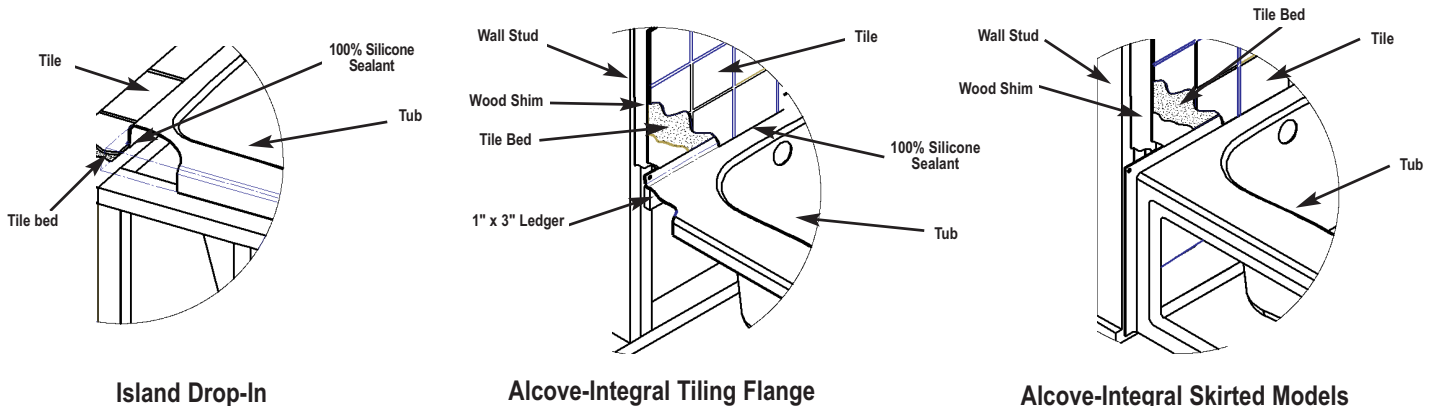
TYPES OF INSTALLATIONS:

**\*Installation dimensions should be taken directly from the bathtub. Do not support the weight of the tub by its rim.**

## FRAMING DIAGRAMS

Alcove: Requires a skirt. Models shown with skirts have optional removable skirts. Other models not shown require a field built skirt, have an integral skirt, or no skirt is available.

1. a) Alcove Framing: Levelled 1" x 3" ledgers indicated height "LH" dimension (see Alcove Diagrams on page 9). Use a 3' level. Nail ledgers to studs.  
**Island -- All Models:** Above floor; no wall contact.  
**Peninsula -- All Models:** Above floor; one end at plumbing wall.  
**Sunken (Partial or Full) -- All Models:** Flush mount or self-framing.
  - b) Island, Peninsula, Sunken Framing: Construct framework as shown in Island Diagrams on page 9, with inside (cutout) dimensions "IW" and "ID" and height dimension "DH". (Full height framework required, even in sunken installations.) Check framework for proper dimensions, squareness and plumb. Use a 3' (minimum) level.
2. a) Before moving unit into alcove or framework see and follow enclosed **INSTALLATION INSTRUCTIONS** on page 10. (NOTE: Electrical and air tube hook-ups will be difficult to perform if unit is installed first.)  
 b) Models with leveling feet: The following procedure is recommended for pre-leveled bottoms: Lift unit by the rim, place in alcove or framework. If necessary, shim feet until unit is completely resting on leveled ledges or framework. Secure the unit by fastening the bottom feet to the subfloor with any construction adhesive caulk. The use of casting plaster is suggested as a foundation bed between the floor and the bottom of the unit to suppress noise and give a solid and stable feel for the user.
3. Protect interior of tub throughout installation process.
4. Framing and supports will vary according to the model and type of installation selected.

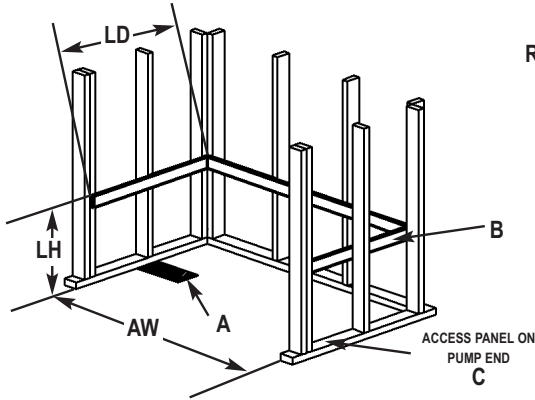




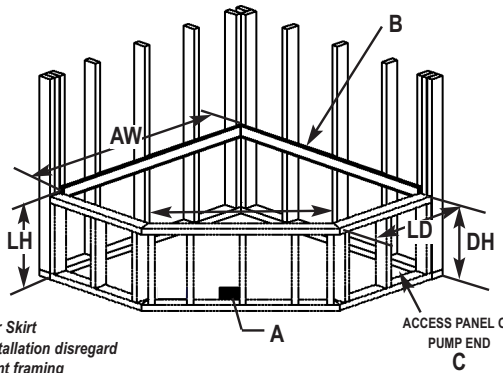
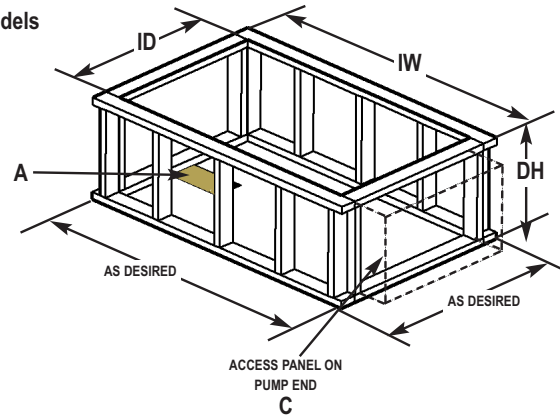
LEGEND			
AW	Overall Width	LH	Ledger Height
ID	Ledger Depth	DH	Deck Height
ID	Inner Depth	IW	Inner Width

### ALCOVES

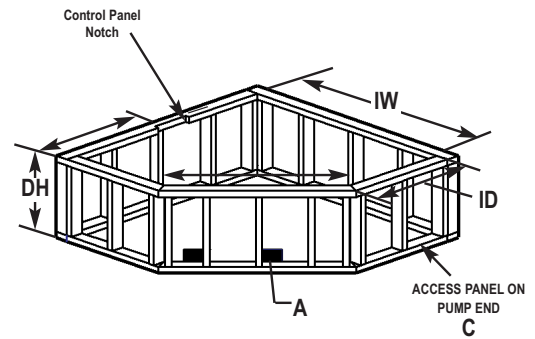
### ISLANDS



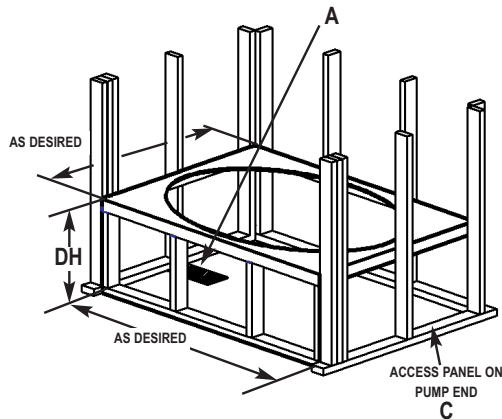
#### Rectangular Models



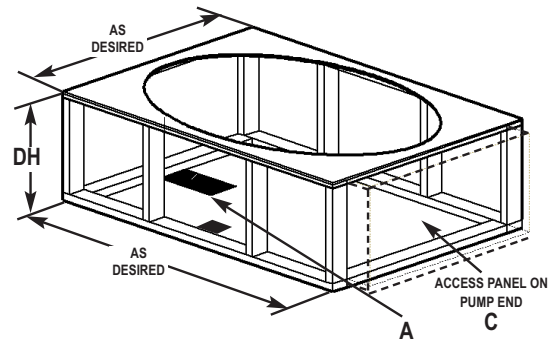
#### Corner Models



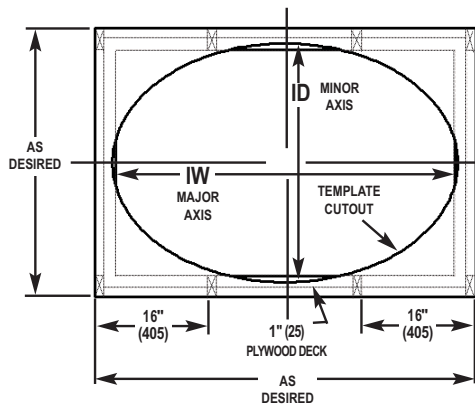
Note: For Skirt Installation disregard front framing



#### Oval Models

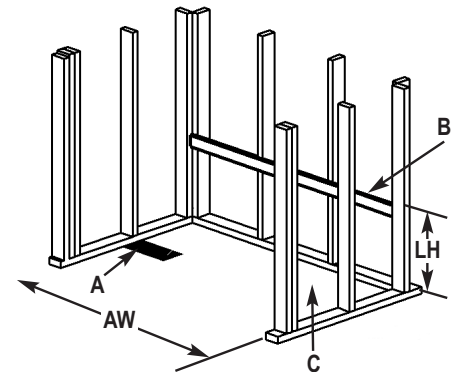


#### Integrally Skirted Models



**DECK CUTOUT** - A paper template will be enclosed with all oval models. For the deck cutout, scribe on the deck two center lines (a major and minor axis). Next, match the center lines and trace the ellipse. Repeat this step three more times. Once the tracing is complete, cut out the ellipse. The dimensions should be exactly 2" (50) smaller than the unit.

- A - 6" x 12" (150 x 305) Box-outs
- B - Leveled Supports
- 1" x 3" (25 x 75) Ledgers
- C - 12" x 18" (305 x 460) minimum access



# INSTALLATION INSTRUCTIONS

## FRAMING & INSTALLATION PROCEDURES

**WARNING** - When using electrical products, basic precautions should always be followed, including the following:

**DANGER - RISK OF ELECTRIC SHOCK.** Connect only to a circuit protected by a Ground-Fault Circuit-Interrupter (GFCI). (For built-in and custom units.) Install to permit access for servicing.

1. Install outlet(s) per electrical requirements. The outlet must be a minimum of 6" above the floor and be accessible through the access panel. [See **ELECTRICAL CONNECTIONS** on pages 12 – 13.]
2. Place the bath in the location for installation. Check that the bath is level (length and width). A carpenter's level is recommended. If necessary, place shims under support legs. Make measurements for framework construction. Remove bath from location.
3. Construct framework.
  - Ensure that construction materials comply with applicable code requirements for the installation site.
  - All framing must be square, level and designed to provide structural support.
  - Do not allow tub rim to support any of the bath weight.
4. An **access panel**, 14" x 18" minimum, must be provided to allow access to the blower, electrical connections, and other accessories.
5. **ALL MODELS WITH LEVELING FEET** - The following procedure is recommended for pre-leveled bottoms. Lift unit by the rim and place in alcove or framework. If necessary, shim feet until unit just rests on leveled ledges or framework. Secure the unit by fastening the bottom feet to the subfloor with any construction adhesive caulk. The use of casting plaster or plaster of paris is suggested but not mandatory as a foundation support between floor and bottom of unit to suppress noise and give a solid and stable feel for the user.
6. **AIR BATH TUB MODELS WITHOUT LEVELING FEET** - (Including island or self rimming units) Just before placing unit in alcove or framework, spread a bed of casting plaster or plaster of paris on the floor or subfloor. Limit the size of bed to dimensions of bottom. Lift unit by the rim and place in alcove or framework. Press down until the tub perimeter rim just rests securely on top of the ledge or framework on all sides. This step is mandatory to prevent shifting after installation and for proper operation, drainage and weight distribution. Use a carpenter's level to check that the unit is level.
7. The rim of the bath is not designed to support weight. If finished material is to overlap or contact the bath, the added weight must be fully self-supporting.

### **WARNING**

#### Installation Recommendation

Use two or more people to move and install air bath tub. Failure to do so can result in back or other injury.

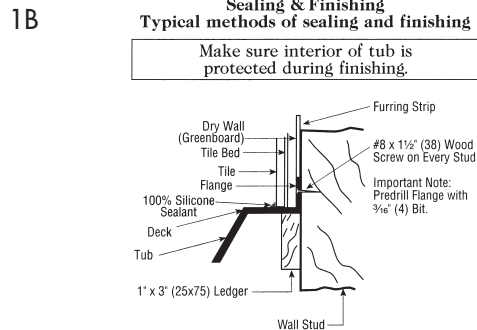
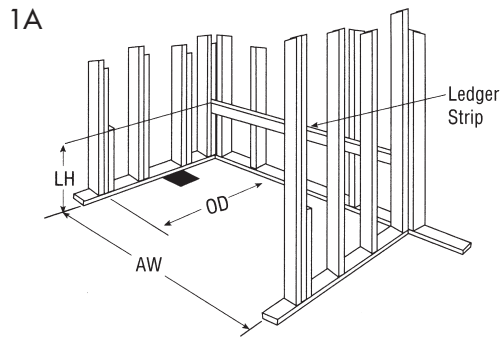
**IMPORTANT:** If a skirt is to be used, it must be installed at the time of tub installation. Install optional trim parts when all installation has been completed.

# INSTALLATION INSTRUCTIONS

## INTEGRALLY SKIRTED AIR BATHS

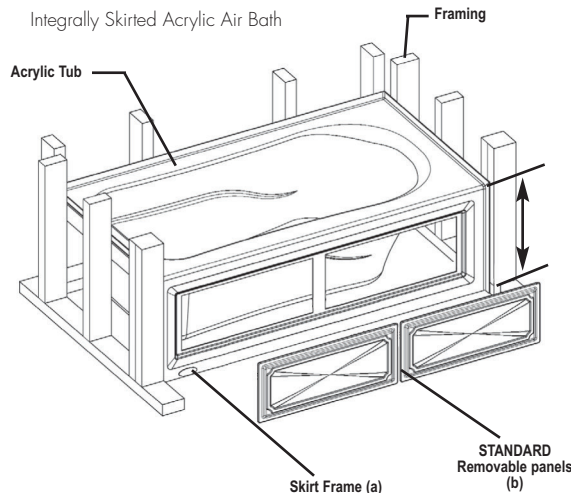
Remove the shipping blocks of wood that are nailed along the back of the "H" frame.

1. To avoid obstructions during installation, make sure water lines, spout pipes and valve plumbing do not project into alcove.
2. **Ledger Strip:** Fasten a 1" x 3" (25mm x 75mm) ledger strip along rear for alcove and along both sides in corner installations at Dimension LH. (see diagram 1A)
3. Mix a 3 gallon bucket of plaster and water to a paste. Place three or four mounds of plaster away from drain hole in a line or square, approximately twice as high as the cavity under the tub bottom.
4. Place tub into alcove with front skirt firmly on floor and depress cement mounds. Make certain that back ledge of tub rests firmly on ledger strip. (see diagram 1A)
5. **Using 1 1/2" (40mm) washer head screws:** (a) spot-fasten the two bottom corners and the two top corners of the vertical side nailing flanges. (b) Fasten at each stud through the top sides flanges and back flange, working from both ends toward back center. (c) Complete fastening vertical side flanges.
6. When other than scratch coat is used, furring strips as thick as nailing flanges are recommended for installation on studs above the installed Aquatic tub to assure drywall will be flush.
7. See and follow the Sealing & Finishing Diagram (diagram 1B).
8. See and follow **FINAL SYSTEM TEST AND CLEAN-UP** on page 14.



## REMOVABLE SKIRT PANEL FOR INTEGRALLY SKIRTED MODELS:

These models are offered with removable access panels. They provide a flush-to-wall installation (sheet rock overlaps skirt while still providing access). The skirt features a decorative removable panel enabling easy access to blower and electrical hookups. **IMPORTANT:** Before installation of the panel, fill the unit, test the air bath system for proper operation and check for leaks, then drain.



# INSTALLATION INSTRUCTIONS

## ELECTRICAL CONNECTIONS

### READ AND FOLLOW ALL INSTRUCTIONS

All local, state and national electrical codes must be observed by a licensed electrician in connecting power to the Aquatic air bath.

### IMPORTANT SAFETY INSTRUCTIONS

**WARNING** - When using electrical products, basic precautions should always be observed, including the following:

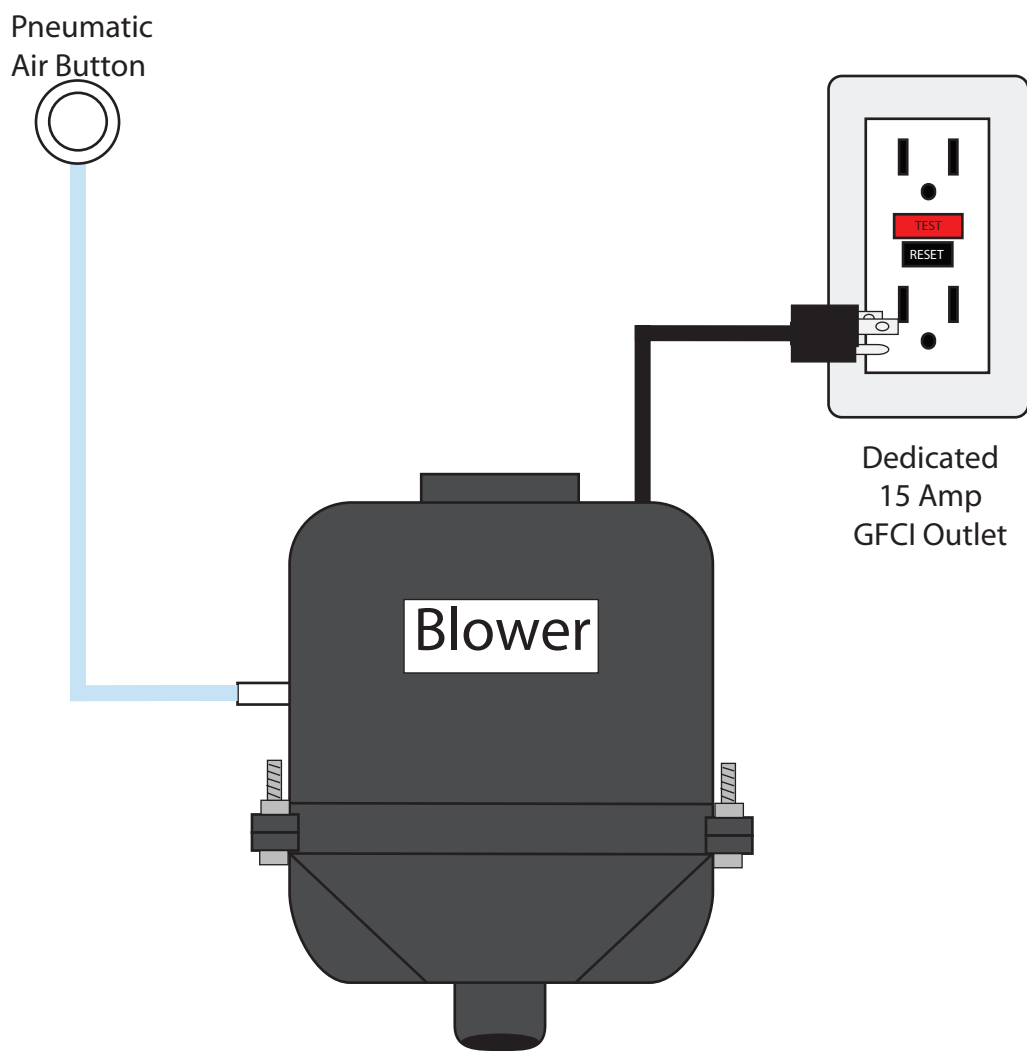
1. **READ AND FOLLOW ALL INSTRUCTIONS.**
2. **Circuit** - A separate circuit (not to supply any other electrical devices) is required as follows: Each electronic component must be connected to a separate 120 VAC 15 AMP circuit.
3. **GFCI** - A Ground-Fault Circuit-Interrupter (GFCI) must be installed in the circuits which bring power to the air bath; do not omit. To test the GFCI, push the test button. The GFCI should interrupt power. Push the reset button. Power should be restored. If the GFCI fails to operate in this manner, there is a ground current flowing, indicating the possibility of an electric shock. Do not use this unit. Disconnect the unit and have the problem corrected by a licensed electrician before using.
4. **Grounding** - Motors have a three prong electrical plug. A ground should be run from J-box receptacle to electrical house panel per code.
5. **Wall Switch** - A remote wall switch is required by many state codes. It must not be within 5 ft (1.5m) reach of a bather while standing in the tub and it must be mounted at a height to be out of the reach of small children. Not further than 10 ft (3.0m) away.
6. **Integral On/Off Switch** - For an Aquatic air bath supplied with a blower that has an integral on/off switch - Make certain the air tube that is connected to the blower is also connected to the on/off button nipple under the deck in order for the system to function.

# INSTALLATION INSTRUCTIONS

## ELECTRICAL CONNECTIONS

Builders' Choice Air Series Component Breakdown

Electrical Requirements: 120VAC, 60Hz, 15 Amp GFCI protected outlet



# INSTALLATION INSTRUCTIONS

## FINAL SYSTEM TEST & CLEAN-UP

### System Test:

To test system, follow these steps in order listed:

1. Fill clean tub with water to minimum 4" above air channels.
2. To test the Ground-Fault Circuit-Interrupter (GFCI), push the test button. The GFCI should interrupt power. Push the reset button. Power should be restored. If the GFCI fails to operate in this manner, there is a ground current flowing, indicating the possibility of a lethal electric shock. Do not use this unit. Disconnect the unit and have the problem corrected by a licensed electrician before using.
3. Push on/off button on the air bath unit.
4. Allow system to run a full 10-minutes.
5. Through access door or removable skirt, check for leaks in air bath plumbing system. Make sure half-union at blower is hand-tight. If leakage is occurring at any other points, notify distributor.
6. If any electrical malfunctions occur, consult electrician. Malfunctions of the air bath controls or the circulating system should be reported to the distributor who supplied the air bath.

### Clean-up:

1. Remove all construction residue and foreign materials. Wipe unit clean with a damp rag, otherwise staining may occur.
2. Plaster may be removed by scraping with the edge of a piece of wood or rigid plastic. Do not use metal scraper. For spots left by plaster or grout: rub lightly with a liquid detergent (Spic-N-Span® or similar) on damp cloth or sponge.
3. **DO NOT** use abrasive cleaners, scouring powders, steel wool, wire brushes or anything else that may harm or dull the surface.
4. Paint, tar, or stubborn stains may be removed with rubbing alcohol. To avoid discoloration, cleaners containing petroleum distillates must not remain on surfaces. NEVER use lacquer thinner or chlorinated solvents.
5. Dulled areas can be restored to a high gloss with white or a non-abrasive automotive rubbing compound, followed by application of carnauba wax or white or cream automotive paste wax and buffing.
6. Major gouges require professional repair. Contact Aquatic to arrange factory-authorized repair services.

# OPERATION INSTRUCTIONS

## BEFORE USE

- **Make sure the bathtub is clean:** If there are any residue or foreign materials left from construction, clean the bathtub thoroughly. Use only the methods and materials described in **TUB CARE** on page 16.
- **Test the Ground-Fault Circuit-Interrupter (GFCI):** Test the GFCI as described in **SYSTEM TEST** on page 14.] This device should be tested on a routine basis.

## TO OPERATE YOUR AIR BATH

1. To activate blower, depress and release air button (See **Figure 1**).
2. Once the blower is activated, an internal 30 minute timer will begin a 30 minute countdown. At the end of 30 minutes the blower will shut off. If the blower is turned off manually and then back on, the internal timer will reset back to 30 minutes.
3. **Purge Cycle:** The blower will automatically come back on for 5 minutes, 30 minutes after the blower has been turned off. The initial speed will be low for 30 seconds and then run on high speed for 4 minutes 30 seconds. Once the purge cycle starts, it cannot be shut off.

**Note:** If the air bath is used for a shower or soaking bath, the system must be manually purged to ensure a drying cycle occurs. A manual purge is simply turning the blower on and off after the bathing well has been emptied, and the bather has exited.

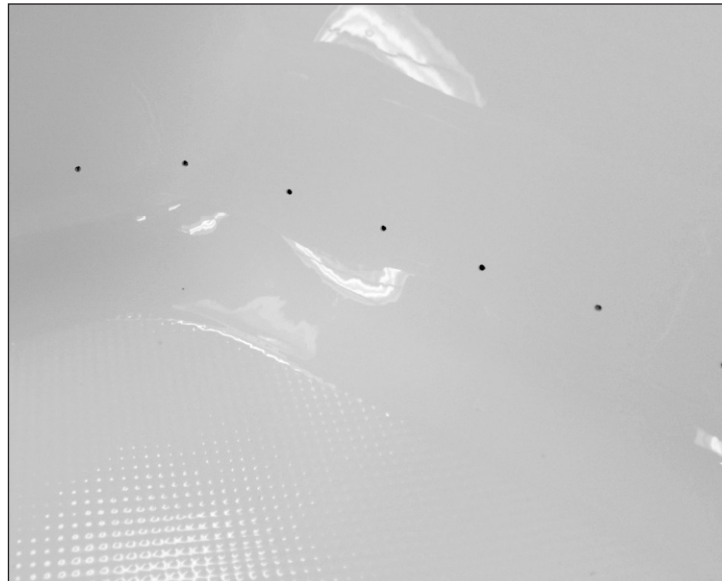
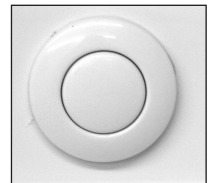


Figure 1



# TUB CARE

## MAINTENANCE

**IMPORTANT:** Use only the recommended cleaners and procedures described in this section. Use of other materials and methods may harm your air tub and will **VOID THE WARRANTY**.

### Acceptable Cleaning Procedures for Acrylic Surfaces

The surface of your whirlpool bathtub will retain its color and gloss indefinitely with normal use, but many bathroom cleaning agents can harm it. Read and follow the cleaning and maintenance instructions in this booklet.

- **To keep your Aquatic unit sparkling clean:** Apply a coat of good quality automotive paste wax and buff to a high shine with a soft cloth or bath towel. Repeat every six months for easier cleaning and long lasting protection. NOTE: Do not wax textured standing/walking surfaces.
- **For normal cleaning,** any non-abrasive liquid cleaner off the shelf may be used. Be sure to read the label and follow the cleanser's recommendations. Do not use harsh abrasives as they will harm and dull the finish of your unit. Instead, use warm water and liquid detergents, especially those bathroom cleaners recommended for cleaning fiberglass or acrylic surfaces, such as Mr. Clean®\* All-Purpose, Lysol®\* Bathroom, chlorine bleach, Easy-Off®\* Mildew stain remover, or Liquid Spic-N-Span®\* and the like.
- **For more difficult stains on your anti-skid floor,** a paste should be made of a cleanser such as Comet®\*, Spic-N-Span®\*, etc. and spread out onto the floor. Allow the paste to sit for 5-10 minutes and then gently scrub with a soft-bristled brush. To prevent scratches, the brush should be no rougher than the texture of a toothbrush.
- **For hard water stains,** calcium deposits, limescale or difficult soap scum after repeated attempts with the above suggestions, you may try Lime-Away®\* or white vinegar for removal of calcium or lime deposits. For soap scum, general black grime or algae, chlorine bleach may be used with moderate scrubbing. In both instances the unit should be rinsed carefully with cold water. Scrubbing is never recommended as it could damage the finish on your floor. Always rinse off all remaining paste.
- **To restore a scratched or dull unit:** Use an automotive polishing compound applied with a clean cotton rag. Rub scratches and dull areas vigorously. Wipe off residues. Follow with automotive wax treatment described above.
- **To remove adhesive:** Try 3-M™\* Natural Cleaner, or rubbing alcohol and rub vigorously until the adhesive dissolves and disappears. These solvents are highly flammable and must be used sparingly and with caution. Do not smoke or permit others to do so. Make sure all nearby heating devices (including pilot lights) are extinguished. Do not allow solvent to go down the drain. Make sure not to contact plastic drain grates or other synthetic materials.

**CAUTION:** When using any cleaning or polishing materials, make sure to read and follow all package instructions carefully. Wear rubber gloves at all times and avoid contact with eyes, skin, clothing, rugs and furnishings. Make sure all residues are rinsed off thoroughly.

**Rubber mats:** If you use a rubber or plastic "anti-skid" mat, make sure to remove it from the unit after each shower to avoid harm to the surface finish.

**Hard Water:** Water in certain areas, if not wiped up after bathing/showering, may cause fading of some bath fixture colors. This is a natural occurrence beyond Aquatic's control. [See **AQUATIC LIMITED WARRANTY** on page 23.]

\*Note: 3-M is a trademark of 3M.  
Cascade and Mr. Clean are registered trademarks of Procter & Gamble.  
Lime-Away, Lysol and Easy-Off are registered trademarks of Reckitt Benckiser, Inc.  
Spic-n-Span and Comet are registered trademarks of Prestige Brands.



# TUB CARE

## REPAIR

The installation and service of your air bath should be performed only by a qualified service technician. Remember when contacting your distributor always have your serial number, proof of purchase and model number available. This will ensure a quick response on warranty items.

The model and serial numbers are located above the blower on the backside of the air bath.

**NOTE:** all warranty repairs must be authorized by aquatic before work is started. For service, always contact your distributor.

**CAUTION:** Care should be taken to prevent inappropriate chemicals coming in contact with the Lucite® acrylic surface. Please read and observe all instructions and/or warnings on containers containing substances you contemplate applying to your air bath. Any failure to comply may void your warranty.

### Model & Serial Number

The tub model and serial numbers are located near the equipment area on the backside of the bathtub. An access panel should be placed by the installer at this location.



# WATER QUALITY

## CHEMICAL & WATER QUALITY

Owners of fill and drain air bathtubs need to know basic information concerning water quality, how it affects the performance and enjoyment of the operation of their tubs, and steps that can be taken by the owner to correct related problems. Important issues are the microbiological and chemical quality of the water.

### 1. Microbiological Quality

Microbes are present in water supplied by individual wells or water systems and even in the air around us. These microbes are usually in amounts below what is noticeable. Microbes from the water or air or from a bather's body may settle on wet surfaces such as a bathtub surface or piping system where they can grow in numbers. With regards to air tubs, brown/black fungi/mold or pigmented (colored) bacteria can be noted.

**Fungi/Mold** - Fungi and mold are always present. Usually the levels are such that we don't notice them. When moisture and temperature are sufficient, the organisms will grow to levels that we may smell and/or see. The best examples of such growth is the very common black growth on the bottom of shower curtains. The best solution to keep these surfaces free from the growth is frequent cleaning.

**Pigmented Bacteria** - A pinkish substance may appear on bathroom fixtures that is very persistent, appearing in the shower, sink and along the water line of toilet bowls. The residue is less likely a problem associated with water quality than with naturally occurring airborne bacteria. The bacteria may produce a pinkish film, and sometimes a dark gray film, on surfaces that are regularly moist, including toilet bowls, shower heads, sink drains, and tiles. The problem is more common in humid areas of the country. In any particular case, the determination of the exact species of bacteria causing the problem would require lengthy and costly laboratory testing; however, most experts believe the bacteria responsible is *Serratia marcescens*. These bacteria thrive on moisture, dust and phosphates, and are widely distributed in soil, food and also in animals. The best solution to keep these surfaces free from the bacterial film is continual cleaning. A chlorine containing compound is the best cleaner. Avoid abrasives to limit scratching fixtures, which will make them even more susceptible to bacteria.

### 2. Chemical Quality

The water supplied by individual wells or water systems always contains chemicals, usually in amounts below those which the consumer would notice. Examples of such chemicals, which are of potential concern for the owners of fill and drain air bathtubs, are calcium and magnesium salts, copper, iron, manganese and sulfates. When these chemicals are present in sufficient amounts, they may cause problems in air bathtubs. You should contact your water supply or treatment company and follow their suggestions for treatment.

**Calcium and Magnesium Salts** - Collectively, the various compounds of calcium and/or magnesium are referred to as salts. Calcium and magnesium salts are often found in ground water supplies and cause "hardness" in water. Hard and soft water are relative terms. Hard water retards the cleaning action of soaps and detergents, causing expense in the form of extra work and cleaning agents. When hard water is heated, it will deposit a hard scale. With regard to air bathtubs, high calcium and/or magnesium levels may result in the formation of white stains and scale formation on the inside of the tubs, especially noticeable with colored tubs. If this occurs, you need to contact the water supplier to determine the calcium and/or magnesium content and/or corrosion potential of the water and follow their suggestions for treatment. If you are on an individual well, you need to contact a water treatment company to test your water and suggest solutions if a problem is present.

# WATER QUALITY

**Iron** - Iron is found in many natural waters especially from wells. Iron in water can also result from the corrosion of piping in the water supply system, such as cast iron mains or galvanized steel service lines, or galvanized piping in the home water system. High iron levels may result in the formation of brown stains in the vicinity of the faucet outlets of various fixtures in the home. With air bathtubs, the staining may be particularly pronounced because the aeration action can oxidize iron to a form that settles out on the inside of the tubs, especially noticeable with white tubs. If high iron in the water is present, you can also notice rust colored deposits inside your toilet tank or dishwasher. If this occurs, you need to contact the water supplier to determine the iron content and/or corrosion potential of the water and follow their suggestions for treatment. If you are on an individual well you need to contact the water treatment company to test your water and suggest solutions if a problem is present.

**Manganese** - Manganese is found in many natural waters especially from wells. High manganese levels may result in the formation of small black particles that can stain laundry, especially noticeable with whites such as sheets or towels. With air bathtubs, the formation of small black particles may be particularly pronounced because the aeration action in the tub can oxidize manganese to an insoluble form that is especially noticeable with white tubs. If high manganese in the water is present, you may also notice black stains on white laundry. If this occurs, you need to contact the water supplier to determine the manganese content of the water and follow their suggestions for treatment. If you are on an individual well, you need to contact a water treatment company to test your water and suggest solutions if a problem is present.

### 3. Treatment

If you have contacted your water supplier and followed their instructions and you are still having problems, you need to increase the frequency of applications of low-foaming detergent/bleach starting from monthly purging down to using it every other day as required to eliminate your particular problem. The use of certain bath oils, bubble bath soaps and bath additives may increase the level of accumulations of bath residue in the air system. More frequent cleaning may be necessary if these products are used in the air tub. If excess accumulations persist, you should discontinue the use of these products. If you have followed the monthly purging instructions and still have an excess accumulation of bath residue and desire an alternative cleaning mechanism, we recommend **SUPER SYSTEMS CLEAN PLUS** (Aquatic Part #ST1010) manufactured by Stearns Packaging Corporation to rectify this condition. This may be obtained by contacting Aquatic at (800) 945-2726. It is recommended that you follow the instructions provided by the manufacturer with the product. Repeated use may be necessary. **SUPER SYSTEMS CLEAN PLUS** does not replace the necessity to purge your air system at least once a month with a low foaming detergent and bleach.

## AIR BATH USER INFORMATION

### PLEASE NOTE:

The air bath action may cause even small amounts of bubble bath or shampoo to foam excessively. Exercise moderation in experimenting with different soap products.

No servicing of this product should be done by the user. There are no user serviceable parts. All controls are located in the control recesses on the lip of the tub. These are the only controls that should be used by the consumer. Do not change or alter any of these controls under any circumstances.

Air blowers do not require lubrication.

## FCC CONSUMER INFORMATION

### ELECTRICAL INSTALLATION INFORMATION LISTED ON PAGE 12-13.

This equipment generates and uses radio frequency energy and if not installed and used properly, that is, in strict accordance with the manufacturers instruction, may cause interference to radio and television reception. It has been type tested and found to comply with the limits for a class B computing device in accordance with the specifications in subpart J of part 15 of the FCC rules, which are designed to provide reasonable protection against such interference in a residential installation. However, there is no guarantee that interference will not occur in a particular installation. If this equipment does cause interference, which can be determined by turning the equipment on and off, the user is encouraged to try to correct the interference by one or more of the following measures:

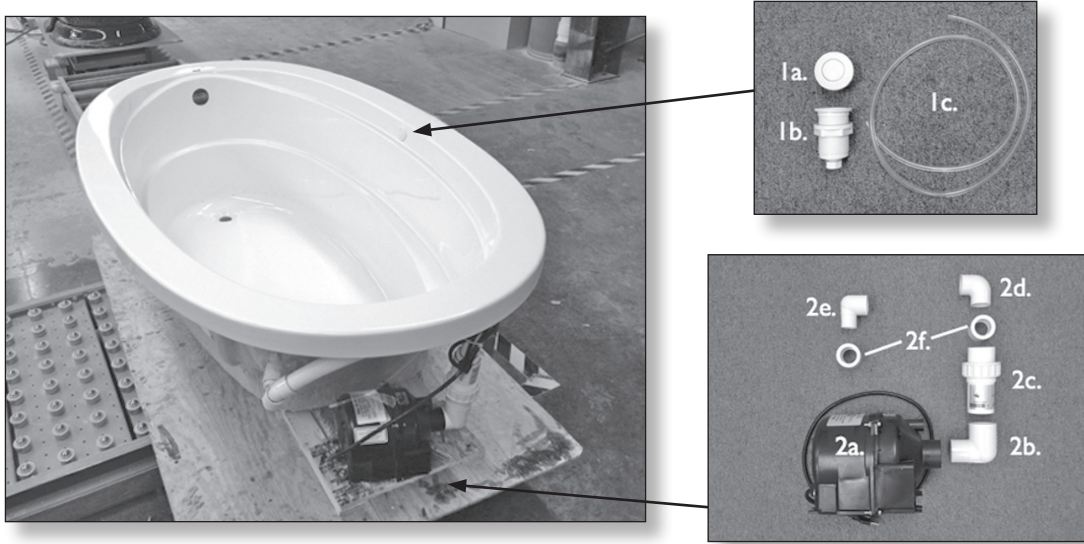
- Reorient the receiving antenna.
- Relocate the receiver with respect to the bath tub.
- Move the receiver away from the bath.
- Plug the receiver into a different outlet so that the receiver and bath are on different branch circuits.
- If necessary, the user should consult the distributor or an experienced radio/television technician for additional suggestions.
- The user may find the following booklet prepared by the FCC helpful: "How To Identify and Resolve Radio-TV Interference Problems." It is available from the U.S. Government Printing Office, Washington, DC 20402, Stock No., 004-000-00345-4.

# TROUBLESHOOTING GUIDE

**WARNING:** Always turn off power at the main electrical service panel when servicing your air bath.

SYMPTOMS	POSSIBLE PROBLEMS	SUGGESTED SOLUTIONS
Air bath system does not operate:	<ol style="list-style-type: none"> <li>1) No power to air bath unit.</li> <li>2) GFCI or circuit breaker is in OFF position.</li> <li>3) Air tube is pinched/slit</li> <li>4) Air tube is disconnected or loose</li> <li>5) Defective starting switch inside blower.</li> </ol>	<ol style="list-style-type: none"> <li>1) Reset circuit breakers and GFCI if tripped. Check fuses and replace if bad.</li> <li>2) Reset GFCI.</li> <li>3) Visually inspect air tube for kinks or slits.</li> <li>4) Check air tube connections at blower and at bottom.</li> <li>5) Contact Aquatic.</li> </ol>
Blower turns off by itself or before time elapses:	<ol style="list-style-type: none"> <li>1) Blower motor overheated and thermal protection device has deactivated motor (possibly low voltage).</li> <li>2) GFCI tripped.</li> </ol>	<ol style="list-style-type: none"> <li>1) Check that the blower has sufficient ventilation and that the intake to the blower is not blocked. Clear and allow motor to cool down. (check service and wire size.)</li> <li>2) Refer to installer/dealer/electrician.</li> </ol>
Circuit breaker trips repeatedly:	<ol style="list-style-type: none"> <li>1) Defective breaker.</li> <li>2) Short circuit between bath and breaker box.</li> <li>3) Other items are connected to the same circuit.</li> </ol>	<ol style="list-style-type: none"> <li>1) Contact electrician.</li> <li>2) Contact electrician.</li> <li>3) Contact electrician.</li> </ol>
Blower does not manually shut off:	<ol style="list-style-type: none"> <li>1) Defective On/Off button.</li> <li>2) Disconnected air hose.</li> <li>3) Air tube is pinched/slit.</li> </ol>	<ol style="list-style-type: none"> <li>1) Refer to installer/dealer. Shut breaker off.</li> <li>2) Contact Aquatic.</li> <li>3) Visually inspect air tube for kinks/slits.</li> </ol>
Blower does not reach full speed:	<ol style="list-style-type: none"> <li>1) On/Off switch is partially depressed.</li> <li>2) Low voltage.</li> </ol>	<ol style="list-style-type: none"> <li>1) Press On/Off switch once; press again for only 1/2 second.</li> <li>2) Contact electrician.</li> </ol>
Water leakage:		<ol style="list-style-type: none"> <li>1) Call a plumber to determine and correct source of leak. If plumber determines that air bath system is at fault, notify Aquatic Technical Services at (800) 945-2726 to arrange a repair service call.</li> </ol>

# REPLACEMENT PARTS MAP



# REPLACEMENT PARTS LIST

ILLUSTRATION #	PART #	DESCRIPTION
1a.	8115BUTTNxx*	Button; Air On/Off
1b.	8115BODY	Body; Air Button
1c.	8110TUBE	Tubing; 1/8" Air
2a.	8001BLW	Blower;300W Heater w/AS Timer
2b.	8409015FTG	1.5" 90° Elbow; ST
2c.	8427FTG	1.5" Union Check Valve
2d.	8406010FTG	1" 90° Elbow; SLIP
2e.	8409010FTG	1" 90° Elbow; ST
2f.	8437211FTG	1.5"x 1" Reducer Bushing

\* To indicate color, replace "XX" with "WH" for White, "BO" for Bone, "BI" for Biscuit, "AL" for Almond, or "ST" for Sterling Silver.

Call Aquatic at (800) 945-2726 for parts availability, pricing and shipping charges.



**Aquatic Limited Warranty**  
**Builders' Choice Series**  
**Limited Warranty For Original Consumer For Household Usage**

**WHAT PRODUCTS ARE COVERED**

Structures and surface finishes on Whirlpools ("Whirlpools"), Air Baths ("air baths") and Soaking Tubs (Tubs"), and their support systems including equipment, components, attachments and plumbing equipment. Different warranty periods apply to specific components.

**Warranty Periods for Specific Components**

**10 YEAR STRUCTURAL WARRANTY FOR AIR BATHS SHELL**

Aquatic extends to the original consumer purchaser (the "Purchaser") of the acrylic, fiberglass reinforced shell of air baths a limited warranty that the shell will retain its structural integrity and configuration and be free of water loss due to a defect in the tub shell for a period of 10 years from the date of purchase or 11 years from date of manufacture. This limited structural warranty does not apply to attachments to the acrylic, fiberglass reinforced shell, such as plumbing, fittings and other apparatus; this support equipment pieces is covered below.

**10 YEAR SURFACE WARRANTY FOR FACE OF AIR BATHS**

The interior surface/face of an air bath is warranted against fading, blistering, cracking and delamination due to defects in the surface materials for a period of 10 years from the date of purchase or 11 years from date of manufacture. This surface warranty extends to defects due to surface material mixing or molding. This surface warranty does not apply to fading, cracking, delamination or blistering due to excessive wear, sun fading or scouring due to cleaning.

**2 YEAR EQUIPMENT WARRANTY FOR SUPPORT EQUIPMENT, COMPONENTS, CONTROLS & PLUMBING EQUIPMENT**

All support equipment, components, controls and plumbing equipment on air baths are warranted for 2 years from date of purchase or 3 years from date of manufacture, against defects in workmanship and materials. Fuses and pillows are not included in this limited warranty.

**EXCLUSIVE REMEDY**

Aquatic shall, as its sole obligation, and Purchaser's sole and exclusive remedy for any breach of the limited warranty set forth herein, repair or replace the affected components of any defective air bath or system. If Aquatic determines that repair or replacement of the entire defective air bath or system is not commercially practicable, Aquatic may accept return of the air bath or system and refund the then-current list price of the air bath or system (or, if the air bath or system has been discontinued, of the most nearly comparable current product) to Purchaser for the defect. Any repair, replacement or warranty service by Aquatic hereunder will not extend the applicable warranty periods set forth herein. Unless otherwise agreed upon by Aquatic in writing, Purchaser will bear the costs of access, de-installation, re-installation and transportation of the air bath or system to Aquatic and back to Purchaser.

**WHAT YOU MUST DO**

To obtain warranty service under these warranties:

1. You must be the Purchaser of the air baths or system.
2. You must give prompt written notice to Aquatic at the address detailed below of any defect claim within the warranty period and provide us with any substantiation that we may reasonably request.  
Write to: Aquatic 1521 N. Cooper, Suite 500, Arlington, TX. 76011.
3. Air baths and systems must have been installed and maintained in accordance with standard industry practice and with Aquatic's instructions contained in the Owner's Manual and Installation Guide. Please contact Aquatic at the address stated above to obtain a copy of Aquatic's Owner's Manual and Installation Guide.

**EXCLUSIONS**

These limited warranties are null and void if:

1. The air baths or system is subject to damage during shipping by carriers, faulty installation, maintenance, abuse, accident or other damages.
2. The air baths or system is installed outdoors.
3. The air baths or system is not installed in accordance with standard industry practice and Aquatic's instructions contained in the Owner's Manual and Installation Guide. Please contact Aquatic at the address stated above to obtain a copy of Aquatic's Owner's Manual and Installation Guide.
4. Unreasonable use of the air baths or systems occurs (including any use for non-bathing purposes or failure to provide reasonable and necessary maintenance as specified in Aquatic Owner's Manual and Installation Guide supplied with the air bath or system).
5. The Air baths or system is altered, customized, or modified without Aquatic's prior written approval.

**LIMITATIONS**

1. Aquatic air baths sold to Purchasers for industrial, commercial or hotel use are warranted for 2 years from the original date of purchase or 3 years from date of manufacture, with a limited warranty that the shell will retain its structural integrity and configuration and be free of water loss due to a defect in the air bath. The interior surface/face of the air bath is warranted against fading, blistering, cracking and delamination due to defects in the surface materials. All support equipment, components, controls and plumbing equipment sold to Purchasers for industrial, commercial or hotel uses on the support equipment, controls, or plumbing is warranted for 1 year from date of purchase or 2 years from date of manufacture. Fuses and pillows are not included in this limited warranty. Aquatic reserves the right to furnish a substitute or replacement air bath or system component in the event the air bath or system component is discontinued or otherwise unavailable.
2. THESE WARRANTIES ARE NON-TRANSFERABLE TO ANY OTHER PURCHASER OR PARTY OTHER THAN THE PURCHASER. NO OTHER AGENT OR PARTY CAN GIVE ANY OTHER WARRANTY OR PROMISE. THIS IS THE SOLE WARRANTY FOR YOUR AQUATIC AIR BATH OR SYSTEM.
3. Building Code Compliance is not covered by this limited warranty. Local building codes vary considerably, the Purchaser of the air baths or system is responsible for checking with local building or plumbing contracts to insure local code compliance before installation.
4. Your warranty period starts (begins to run) at the earlier of 1) the beginning of installation of your air bath or system in a home, or 2) the purchase of your air bath or system, and shall never exceed 11 years from the date the air bath or system is manufactured for its shell or finish, or 3 years from the manufacture of plumbing supplies and accessories.

**GENERAL**

EXCEPT FOR THE LIMITED WARRANTIES SET FORTH ABOVE, THE AIR BATHS ARE PROVIDED "AS IS" WITHOUT ANY REPRESENTATIONS OR WARRANTIES OF ANY KIND. AQUATIC EXPRESSLY DISCLAIMS ALL OTHER WARRANTIES, EXPRESS, IMPLIED, INCLUDING BUT NOT LIMITED TO ANY WARRANTIES OF MERCHANTABILITY, FITNESS FOR A PARTICULAR PURPOSE, TITLE, AND NON-INFRINGEMENT OF THIRD PARTY RIGHTS. AQUATIC DOES NOT WARRANT THAT THE AIR BATHS FURNISHED HEREUNDER WILL MEET PURCHASER'S REQUIREMENTS OR THAT THE OPERATION OF THE PRODUCT WILL BE UNINTERRUPTED OR DEFECT-FREE OR THAT ALL DEFECTS WILL BE CORRECTED. PURCHASER ACKNOWLEDGES THAT IT HAS RELIED ON NO WARRANTIES OTHER THAN THE EXPRESS WARRANTIES PROVIDED HEREIN.

IN NO EVENT WILL AQUATIC BE LIABLE FOR ANY INDIRECT, SPECIAL, INCIDENTAL, EXEMPLARY OR CONSEQUENTIAL DAMAGES; INCLUDING WITHOUT LIMITATION ANY LOST PROFITS AND COSTS OF PROCUREMENT OF SUBSTITUTE PRODUCT, ARISING OUT OF OR RELATED TO A BREACH OF THIS LIMITED WARRANTY.

Some states do not allow exclusions or limitations on implied warranties. Thus, the above exclusions or limitations may not apply. This warranty gives you specific legal rights. Purchaser may also have other rights which may vary from state to state.



**AQUATIC**

*Where Inspiration Takes Shape*

AQUATIC

Fax-On-Demand System: Toll Free (877) 618-7024  
8101 E. Kaiser Blvd., Suite 200 • Anaheim, CA 92808  
(800) 945-2726 • Fax (866) 544-5353 • [www.aquaticbath.com](http://www.aquaticbath.com)

8MANBCA | F.O.D. # 9007 | REV. 01.14